

ΥΨΙΛΟΝ

Υ Ψ Ι Λ Ο Ν

VPS 100

YPSILON
PHONO STAGE



OWNERS MANUAL
V1 01/01/2010
©All rights reserved

INTRODUCTION

Thank you for trusting YPSILON ELECTRONICS™. We assure you that you have made an excellent purchase. Your phono stage is made only by the best and most reliable materials and we guarantee it will offer you many hours of music enjoyment. Every phono stage, before delivery, is thoroughly checked and measured for ensuring trouble free operation.

Our goal is to offer you devices of the highest standard of build quality and sonic performance.

PLACEMENT OF THE VPS 100 PHONO STAGE

VPS-100 phono stage is designed to reduce interference from external magnetic and radio fields. Although placement is not critical, any magnetic fields should be avoided.

A solid and sturdy surface should be used as this phono stage has a substantial weight. As it will generate some heat, in order to achieve the best operating conditions, it is strongly suggested that there is good air circulation around the phono stage.

CONNECTING CABLES

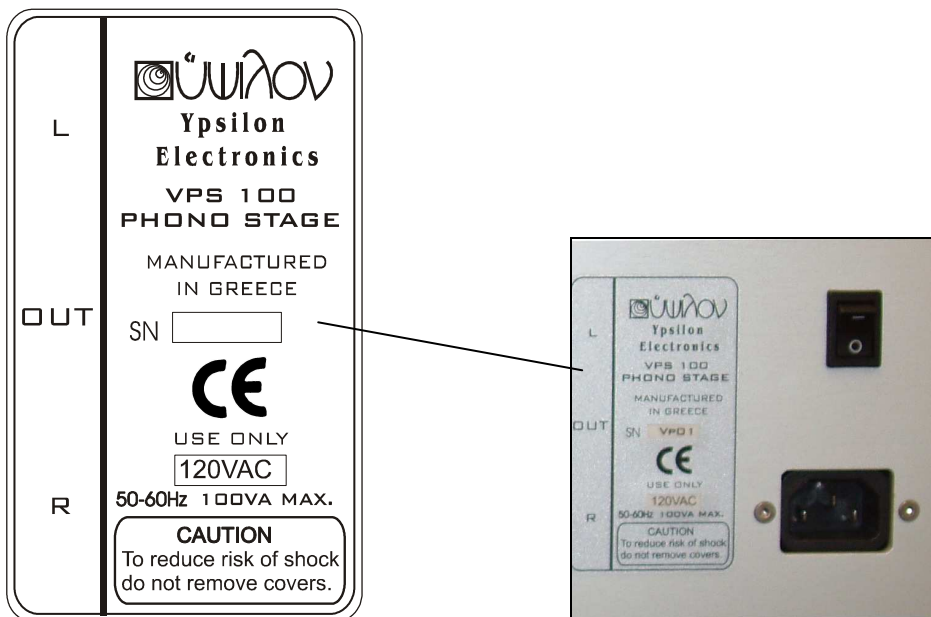
For best results it is recommended to keep the input and output cables as short as possible. Do not use longer cables than needed. For more information contact your dealer or the factory.

CONNECTING TO THE MAINS OUTLET

Your phono stage has a description of the appropriate operation voltage on its back panel. Please make sure not to overlook the specifications. In case you need to operate it in a region with no complying voltage, contact your dealer or the factory. The power cable that you will use must be at least 3 x 1.5 square mm and grounded to the mains outlet.

The on/off switch for the **VPS-100** is located on the back panel.

This device is **Class I** and the following safety rules apply:



*According to guide 73/23/EEC for low voltage and guide 89/336/EEC (EMC) this device is marked with **CE**.*

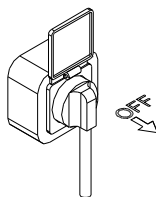
CAUTION
DO NOT ATTEMPT TO
OPEN THIS DEVICE.
IN CASE OF
MALFUNCTION CONTACT
YOUR DEALER OR THE
MANUFACTURER



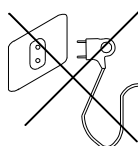
ONLY USE THE VOLTAGE
PRINTED ON REAR PANEL

WARNING: Before any maintenance or placement /connection takes place
disconnect the device from electrical outlets.

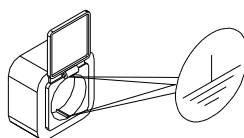
DISCONNECT THE DEVICE



WARNING: Never use electrical outlets without earth



Use only electrical outlets that are earthed.



IN CASE OF FAULT



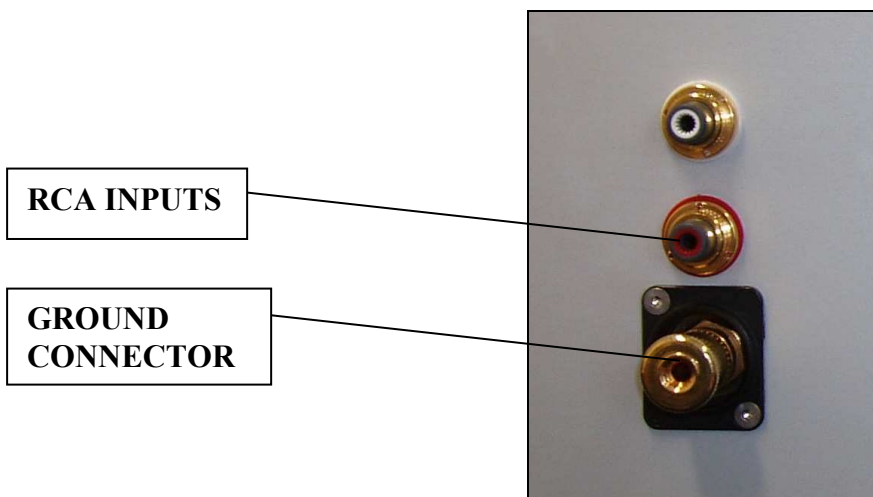
In case of fault never open device. Return to authorized technical agent or manufacturer.

In case of part changing only the exact same parts should ever be used and replaced by authorized staff or manufacturer. Otherwise this device is out of Guarantee and will not be compliant with international rules and regulations.

CONNECTING INPUT CABLES

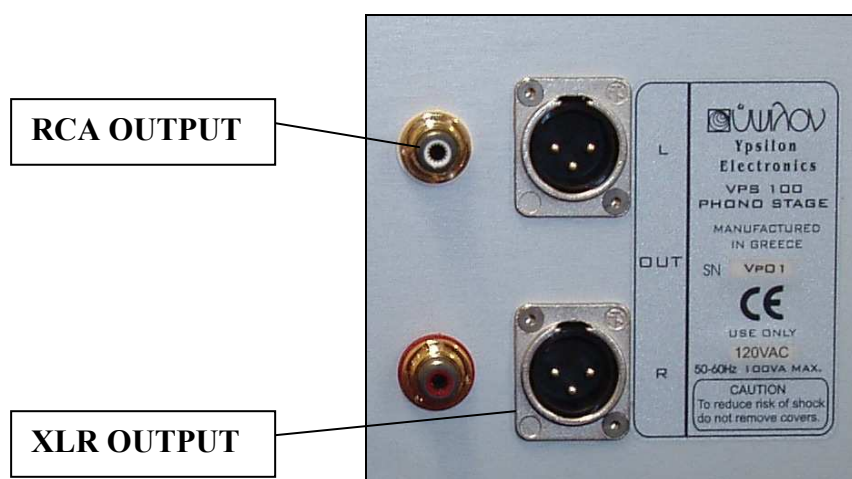
Your **VPS-100** has two **RCA** inputs on the back panel. Only connect signal from source.

Also on the back panel is the ground connector for connection of the turntable grounding wire. This is achieved either by using a banana plug or by tightening the wire in the grounding connector



CONNECTING OUTPUT CABLES

There are two types of output connectors on the back panel of the **VPS-100**. One is a **RCA** connector and the other an **XLR** connector.
Only connect to pre-amplifier.



POWER SUPPLY

The **VPS-100** has a power transformer manufactured in house using special winding techniques and exotic core materials for low noise and pure, transparent sound.
The rectifier is a **6CA4** valve. Regulation and filtering is made with high quality capacitors and a big choke .
The lifetime of the valves is specified at 5.000 hours. When the valve lifetime passes contact your dealer or the factory.

TUBE COMPLEMENT

The **VPS-100** uses four **C3g SIEMENS** tubes. One matched pair in the first stage and one matched pair in the second stage
The lifetime of the valves is specified at 5.000 hours. When the valve lifetime passes contact your dealer or the factory.

STEP-UP TRANSFORMER

YPSILON ELECTRONICS provides step up transformers according to each customer's needs ensuring this way the best compatibility between turntable, cartridge and phono stage.

There are 3 models that cover the majority of cartridge ranges. These models are:

MC 5 (high output 1mV with 14 db gain), **MC10** (0,5 mV with 20 db gain), **MC 20** (low output 0,3mV with 24 db gain).

For any other needs, step up transformers at various specifications can be ordered at the factory or your dealer. Also double chassis can be ordered containing two varieties of transformer according to specific needs.



SPECIFICATIONS

| | |
|-------------------------------|--|
| INPUT IMPEDANCE | 47Kohm/200 pf |
| OUTPUT IMPEDANCE | 1200 Ohm |
| OUTPUTS | RCA unbalanced XLR unbalanced(pin1,3grounded) |
| FREQUENCY RESPONSE | -3db @ 10hz-40khz |
| MAXIMUM OUTPUT VOLTAGE | 5 V peak @ 1Khz 50V peak @ 50Hz |
| RIAA ACCURACY | +/- 0,5 db 20hz-20khz |
| CHANNEL MIS MATCH | < 0,2 db |
| GAIN | 39 db |
| POWER CONSUMPTION | Typically 20 W |
| DIMENSIONS | 400x180x400 (WxHxD)mm |
| WEIGHT | 25 Kgr |



Specifications may change without notice